



# ALTUS 50 RTS TECHNICAL DATA

DMKI - FPTE  
RANGE 1  
ALTUS 50 RTS RANGE 1R2

27/02/2007 PAGE : 1/3

Type of head	Star head
Nominal voltage	230 V AC
Power supply tolerances	207 - 253 V AC
Frequency	50 Hz
Thermal time	4 minutes
Number of wires of the cable	3
Wire section	0.75 mm <sup>2</sup>
Type of limit switch unit	Electronic
Capacity of the LSU	250 turns
Repeatability	< ± 3°
System of protection	IP 44
Interface drawing	Screw implantation for LT50 mounting 206810-Wheel interface LT50 206821-Crown interface LT50 206822-Interface drawing star head LT50 and LT50PA/PS 206823
Radio frequency	433.42 MHz
Coding	Rolling code 16 million of possibilities
Capacity of memory	12 different transmitters plus 3 wireless sensors
Antenna	Integrated antenna
Range	20 m with 2 reinforced concrete walls to be passed through
R&TTE (Radio Equipment and Telecommunications Terminal Equipment Directive)	Dir 1999/5/CE
Safety Security	EN 60335 – 2 – 97
Electromagnetic compatibility	EN 301489 – 3
Radio	EN 300-220 - 3
Basic crown for tube Ø	50 x 1.5 mm
Temperature working range	Normal use : -10°C to +40°C    Exceptional use (20% of the life time not simultaneous) : -20°C to + 70°C
Noise level	According to SOMFY measures (for information only).Worse value : in load up direction during 10 seconds.

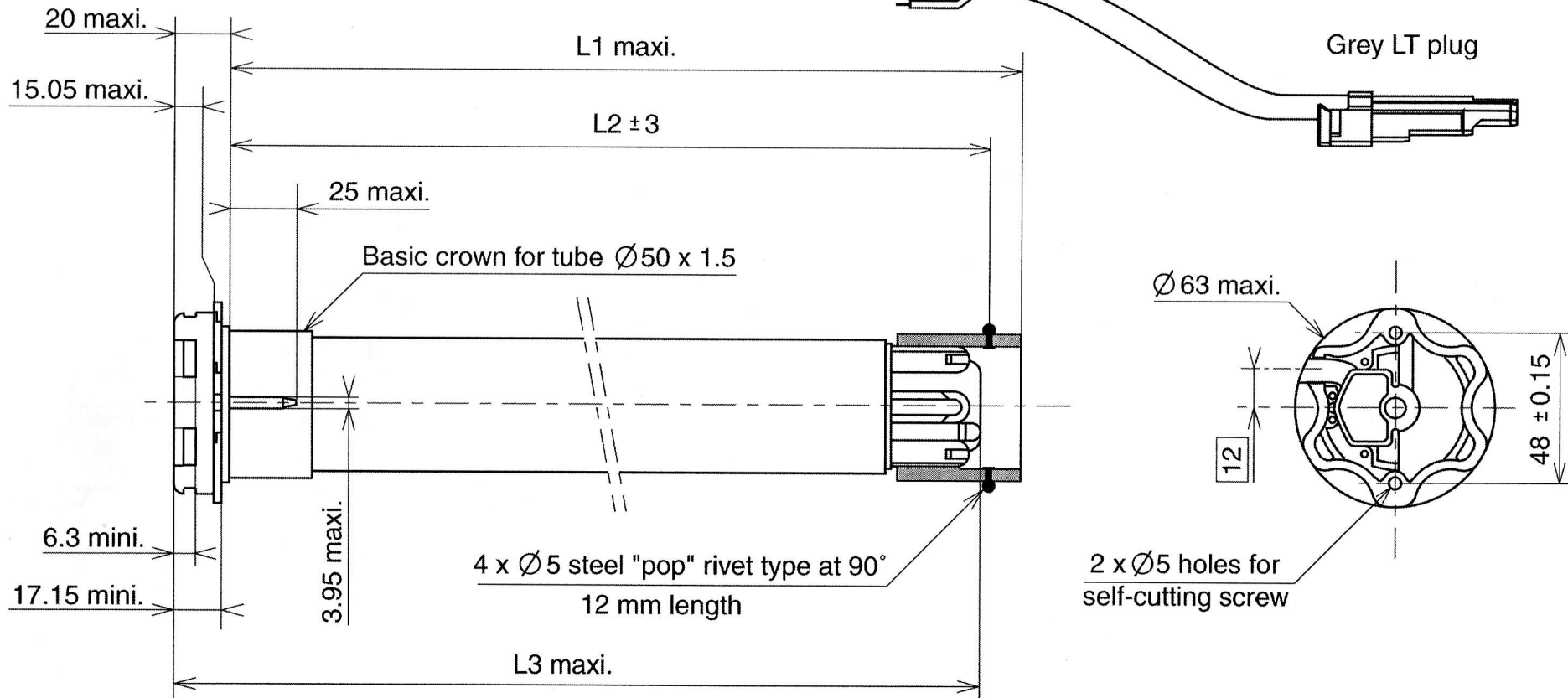



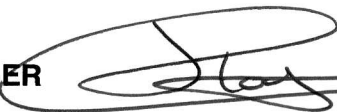
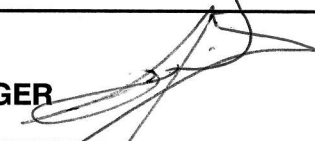
# ALTUS 50 RTS TECHNICAL DATA

DMKI - FPTE  
RANGE 1  
ALTUS 50 RTS RANGE 1R2  
27/02/2007 PAGE : 2/3

Designation	Nominal torque (Nm)	Nominal speed (rpm)	Reference	L1 (mm)	L2 (mm)	L3 (mm)	Tube (mm)	Rated power (W)	Rated current (A)	Thermal tripping (°C)	Brake type	Weight (kg)	Noise (dBA)
ALTUS 50 RTS 6/12	6	12	5048056	605	590	613	540	90	0.4	140	sliding	1.94	46
ALTUS 50 RTS 6/17	6	17	5005427	605	590	613	540	90	0.45	140	sliding	1.85	47
ALTUS 50 RTS 6/32	6	32	5009155	655	640	663	590	120	0.5	140	sliding	2.214	52
ALTUS 50 RTS 6/54	6	54	5006930	655	640	663	590	160	0.7	150	sliding	2.380	-
ALTUS 50 RTS 10/12	10	12	5048057	605	590	613	540	90	0.45	140	sliding	1.94	45
ALTUS 50 RTS 10/17	10	17	5005428	655	640	663	590	120	0.5	140	sliding	1.985	47
ALTUS 50 RTS 10/32	10	32	5009156	655	640	663	590	160	0.75	150	sliding	2.215	54
ALTUS 50 RTS 15/17	15	17	5005429	655	640	663	590	140	0.65	150	sliding	2.12	50
ALTUS 50 RTS 20/12	20	12	5048058	655	640	663	590	140	0.65	150	sliding	2.23	48
ALTUS 50 RTS 20/17	20	17	5005430	655	640	663	590	160	0.75	150	sliding	2.22	53
ALTUS 50 RTS 25/17	25	17	5005431	655	640	663	590	170	0.8	150	sliding	2.34	56
ALTUS 50 RTS 30/12	30	12	5048059	655	640	663	590	160	0.75	150	sliding	2.38	55
ALTUS 50 RTS 30/17	30	17	5005432	675	660	683	610	240	1.1	150	sliding	2.50	55
ALTUS 50 RTS 35/17	35	17	5005433	675	660	683	610	240	1.1	150	sliding	2.56	56
ALTUS 50 RTS 40/12	40	12	5048060	675	660	683	610	240	1.1	150	sliding	2.75	55
ALTUS 50 RTS 40/17	40	17	5005434	745	730	753	680	270	1.2	140	coil brake	2.85	57
ALTUS 50 RTS 50/12	50	12	5005435	675	660	683	610	240	1.1	150	sliding	2.585	55

WIRING	Neutral	Blue
	Live	Brown
	Earth	Green / Yellow



<p>Visa :</p> <p>DT: Emmanuel GRUZ</p> 	<p>Quality:</p> <p>Michel ROGER</p> 	<p>Marketing:</p> <p>Alexandre KEICHINGER</p> 
--	---	---